

THIS DRAWING IS UNPUBLISHED.

RELEASED FOR PUBLICATION

ALL RIGHTS RESERVED.

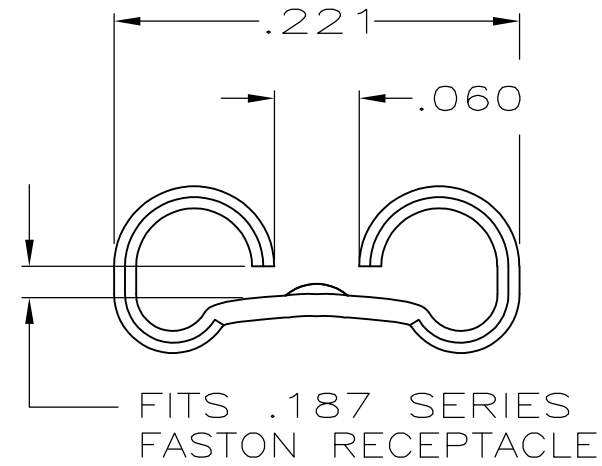
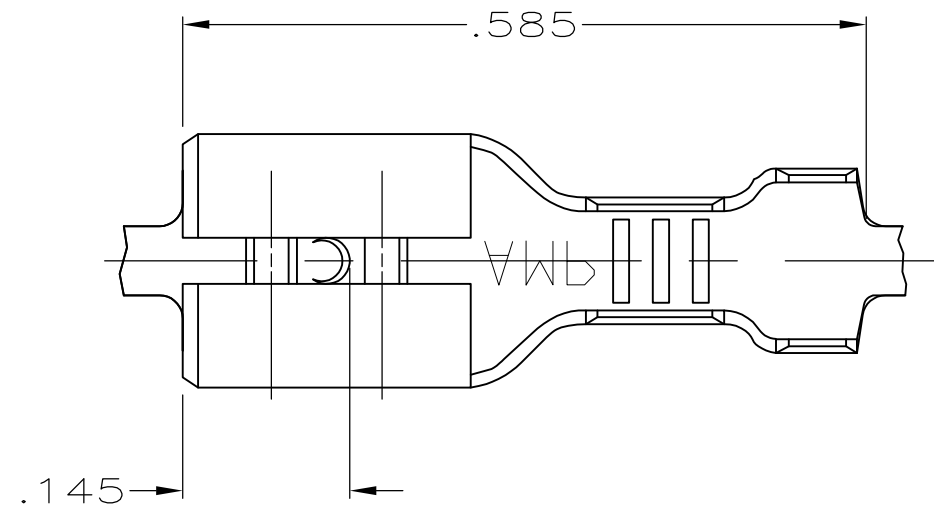
© COPYRIGHT - By -

LOC AF DIST 50

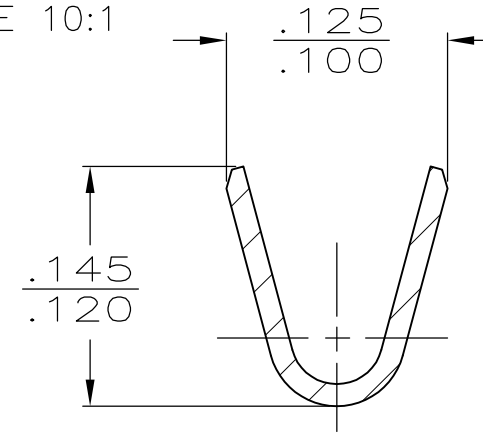
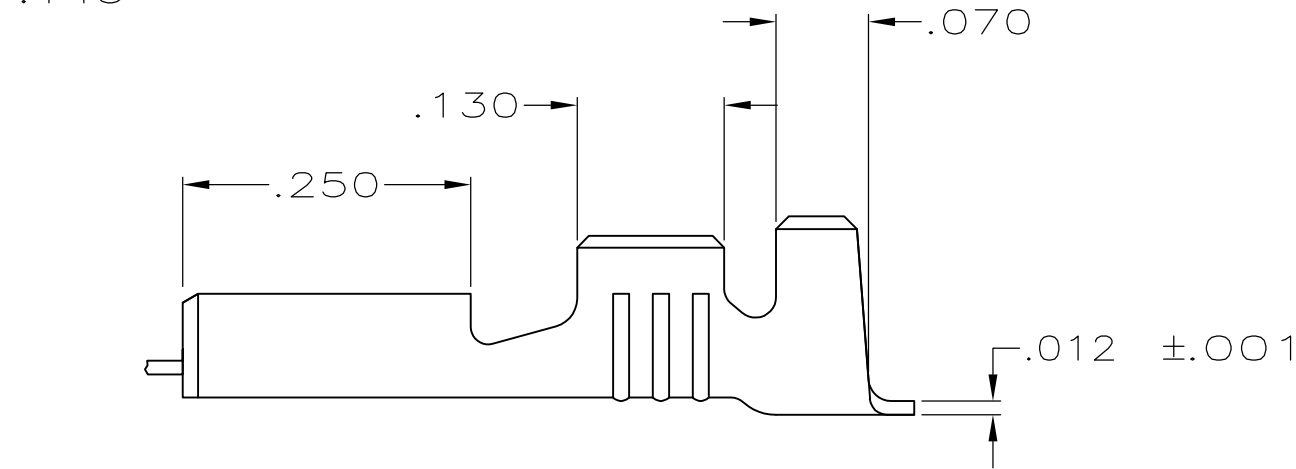
REVISIONS

P	LTR	DESCRIPTION	DATE	DWN	APVD
	F	REVISED PER ECR-12-013459	28NOV2012	KH	PD

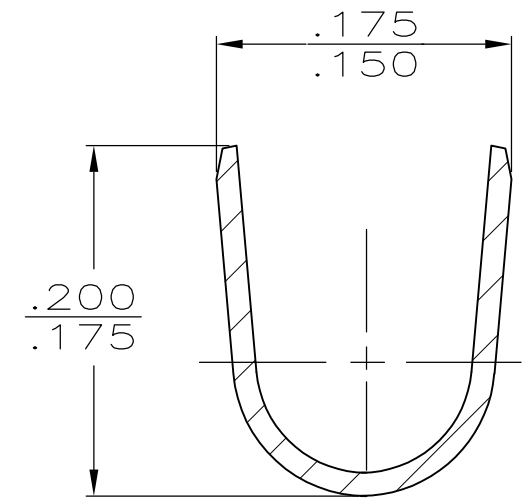
1 CONTINUOUS STRIP ON REELS.



VIEW A-A
SCALE 10:1



SECTION B-B
SCALE 10:1



SECTION C-C
SCALE 10:1

TIN	.090-.130	20-16	.032	61758-2
-				61758-1
FINISH	INSUL RANGE	WIRE SIZE	MATING TAB THK ±.001	PART NUMBER

THIS DRAWING IS A CONTROLLED DOCUMENT.

DWN JR RUTH 2/26/90

CHK MS FEHER 2/26/90

APVD C MEYERS 2/26/90

PRODUCT SPEC

APPLICATION SPEC

WEIGHT -

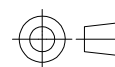
CUSTOMER DRAWING

STE TE Connectivity

NAME RECEPTACLE, FASTON, .187 SERIES

SIZE	CAGE CODE	DRAWING NO	RESTRICTED TO
A3	00779	C-61758	-

DIMENSIONS: INCHES



TOLERANCES UNLESS OTHERWISE SPECIFIED:

0 PLC	± -
1 PLC	± -
2 PLC	± -
3 PLC	± .010
4 PLC	± -
ANGLES	± -

MATERIAL	FINISH
BRASS	SEE TABLE

SCALE	SHEET	REV
6:1	1 OF 1	F